

# MITSUBISHI MOTORS

## SERVICE MANUAL

### AM/FM-ST ELECTRONIC TUNING RADIO, 6 DISC CD CHANGER

Model : ***DY-6MW7U59-2,-2WS***

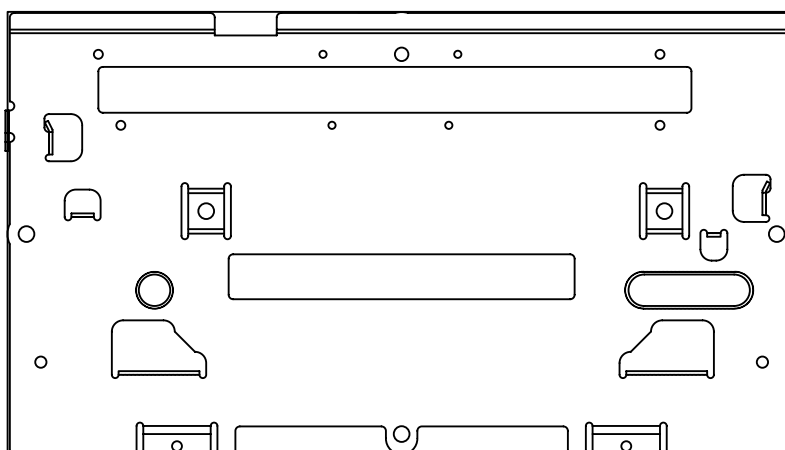
PART No. :8701A224,MZ313879

MELCO CODE :34U237,34W637

Model : ***DY-6MW7U59N-2WS***

PART No. :MZ360152EX

MELCO CODE :34U239



This manual provides only the change from the service manual of **DY-6MW7U59,WS(2006 NOV.)**.

And for the mecha part, please refer to the service manual of **CDX3(955050)**.

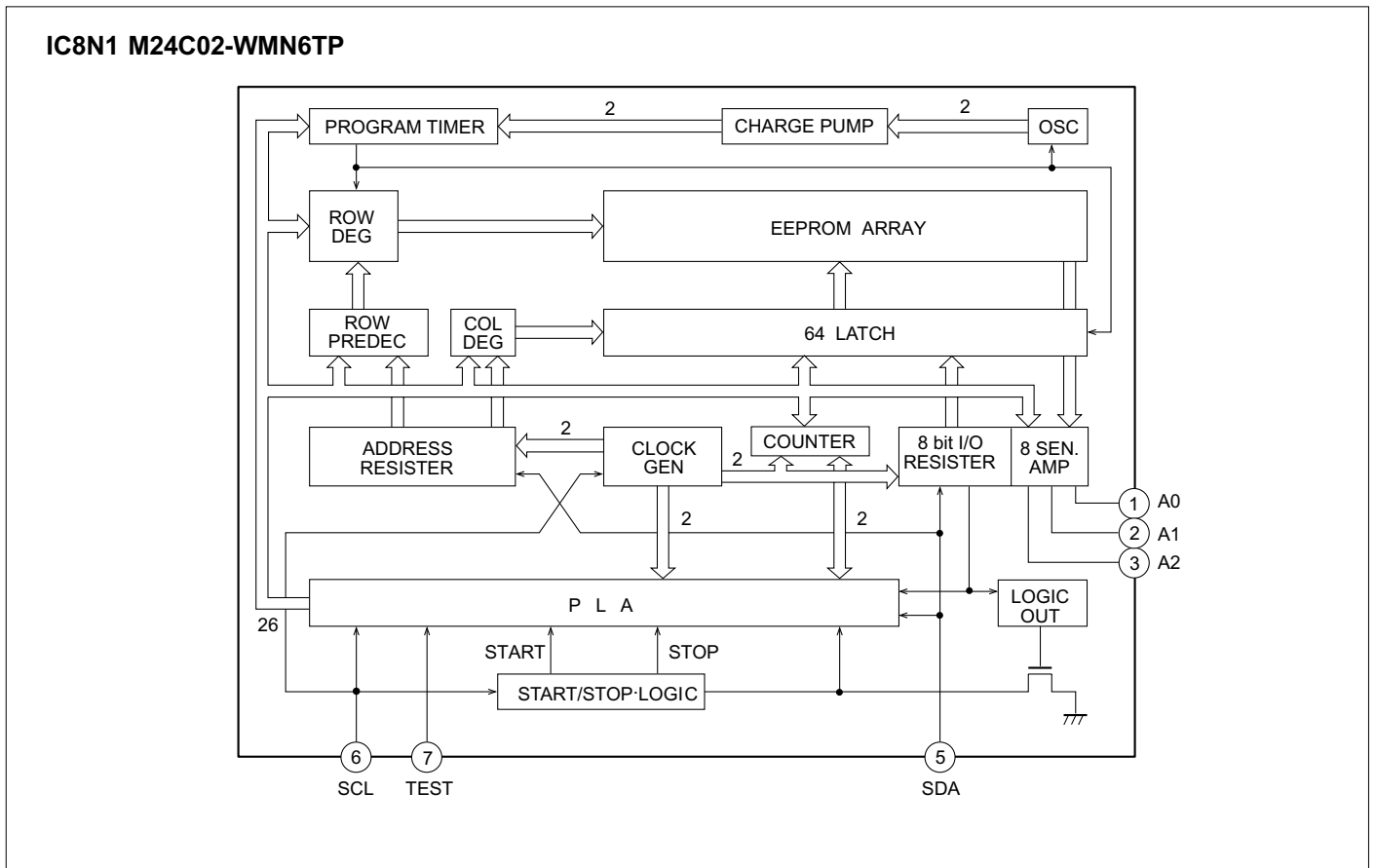
### CONTENTS

- |                                      |   |   |     |
|--------------------------------------|---|---|-----|
| ● FEATURES and SPECIFICATIONS .....  | * | ● IC EXPLANATION .....                  | 2,* |
| ● OPERATION .....                    | * | ● ELECTRICAL PARTS LIST .....           | 2,* |
| ● RADIO DATA SYSTEM .....            | * | ● PARTS LAYOUT ON PRINTED CIRCUIT BOARD |     |
| ● RADIO BROADCAST DATA SYSTEM .....  | * | PCB-MAIN .....                          | *   |
| ● BLOCK DIAGRAM .....                | * | ● SCHEMATIC DIAGRAM                     |     |
| ● SYSTEM CONFIGURATION .....         | * | PCB-MAIN .....                          | *   |
| ● REAR VIEW and CONNECTORS .....     | * | ● VOLTAGE .....                         | *   |
| ● DISASSEMBLING PROCEDURES .....     | * | ● WAVEFORM .....                        | *   |
| ● EXPLODED VIEW and PARTS LIST ..... | 3 |   |     |

For \* Marked contents, please refer to the service manual of **DY-6MW7U59,WS(2006 NOV.)**.

MITSUBISHI ELECTRIC CORP. SANDA WORKS

## IC EXPLANATION

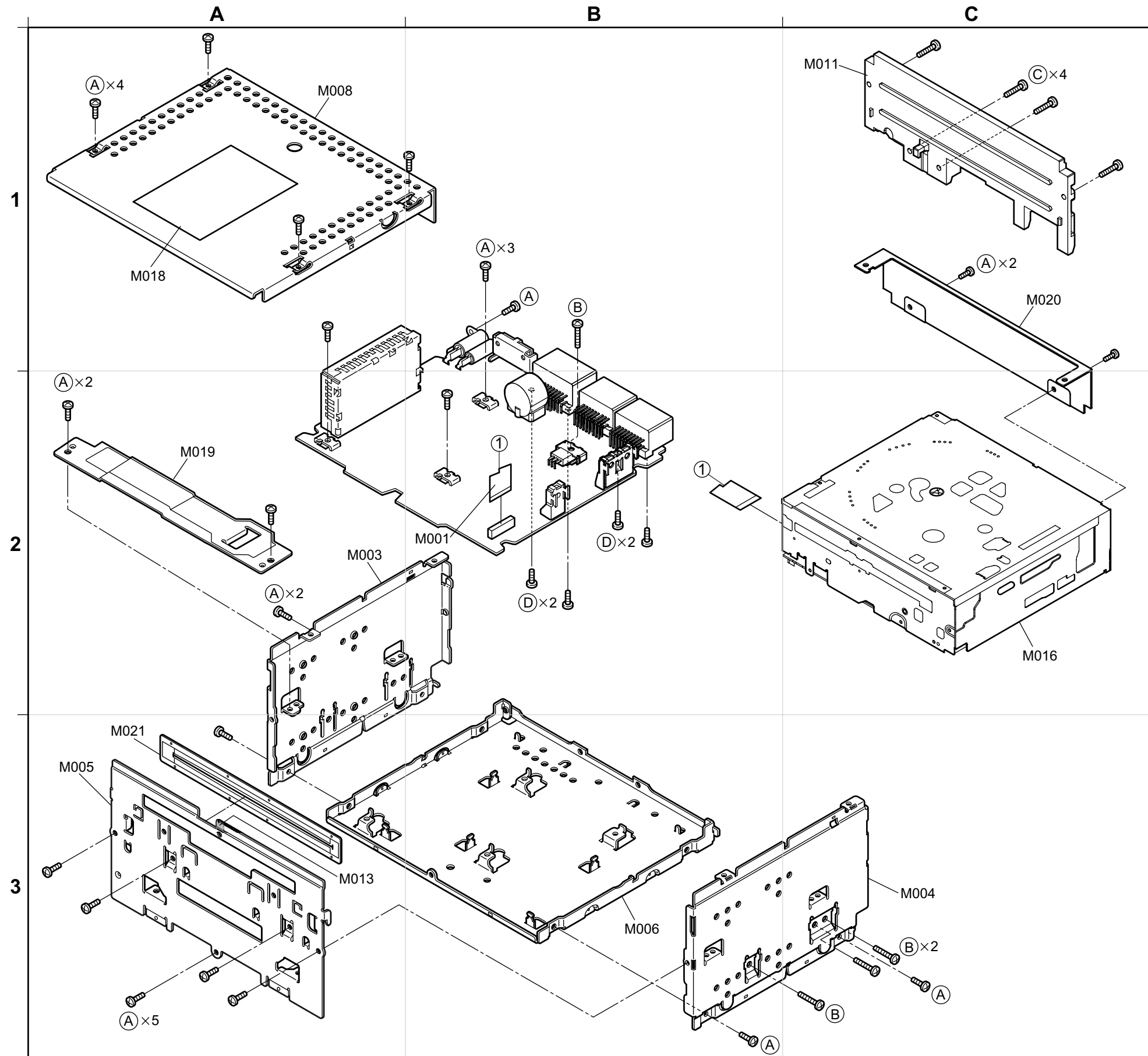


## ELECTRICAL PARTS LIST

- The changed parts from the service manual of **DY-6MW7U59,WS(2006 NOV.)**.

Ref. No.	Part No.	Description
<b>TRANSISTORS</b>		
Q8G3,9D1	260P11710	TR-CHIP 2SA1364
<b>DIODES</b>		
D901,931,etc.	264P607O2	DIODE-CHIP 1SR154-400
<b>IC</b>		
IC800	262P63021	IC M306NLMG-E05GP
IC8N1	263L140O6	IC M24C02-WMN6TP

# EXPLODED VIEW and PARTS LIST



\*1 Marked parts are changes from the service manual of **DY-6MW7U59,WS(2006 NOV.)**.

Model : DY-6MW7U59-2 ..... (1)  
 DY-6MW7U59-2WS ..... (2)  
 DY-6MW7U59N-2WS .... (3)

Ref. No.	Part No.	Description	Index
*1	M001	246L22906 FLAT-CABLE	B-2
	M003	560J24710 CHASSIS-L	A-2
	M004	560J24711 CHASSIS-R	C-3
	M005	560J35211 CHASSIS-F	A-3
	M006	560J24913 CHASSIS-B	B-3
	M008	591K38610 COVER	A-1
	M011	635J08611 HEAT-SINK	C-1
	M013	643L01503 SHEET	A-3
	M016	940L10114 CDX3(955050)	C-2
*1	M018	943M23607 NAME-CARD(DY-6MW7U59-2) ..... (1)	A-1
*1		943M23608 NAME-CARD(DY-6MW7U59-2WS) ..... (2)	A-1
*1		943M23609 NAME-CARD(DY-6MW7U59N-2WS) ... (3)	A-1
	M019	591K61510 BRACKET-CASE	A-2
	M020	593L83310 BRACKET-CDX3	C-1
	M021	642K14611 SHEET-CD	A-3
	A	653P11046 SCREW-S-PAN 3X6	-
	B	653P11048 SCREW-S-PAN 3X10	-
	C	653P11049 SCREW-S-PAN 3X12	-
	D	669L05701 SCREW-TAPPING 3X6	-