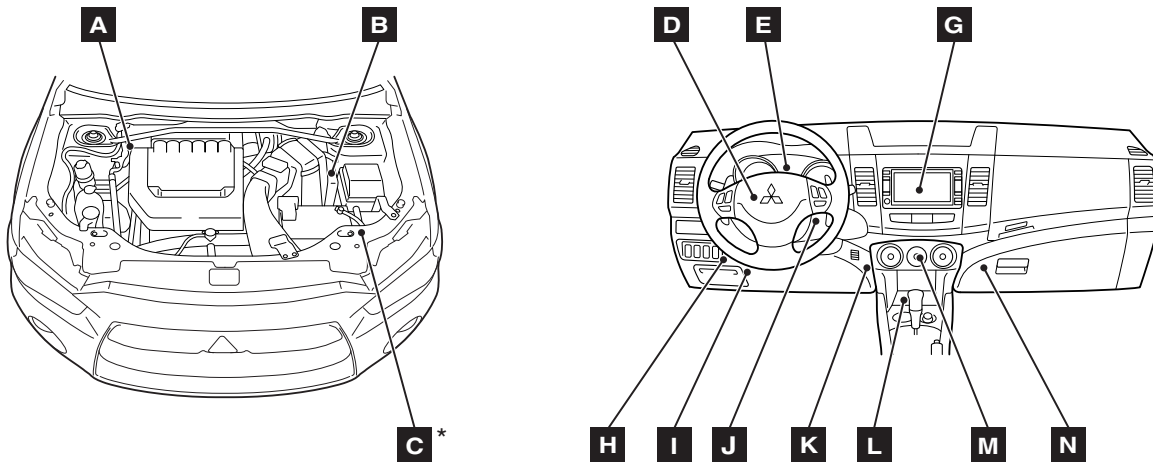


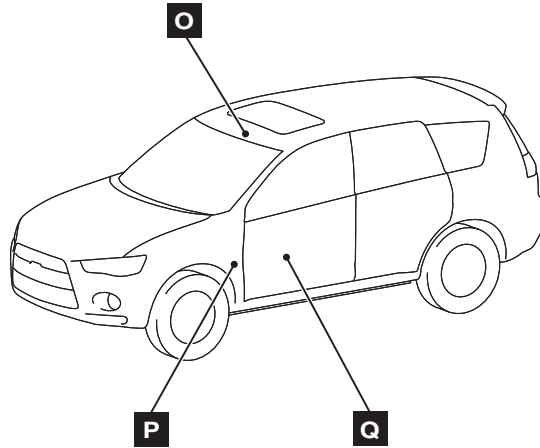
CONTROL UNIT

M1701000701051

Name	Symbol	Name	Symbol
A/C-ECU	N	Headlight control unit <Vehicles with discharge type headlight>	C
ABS-ECU	A	KOS-ECU	K
ASC-ECU	A	Multivision display	G
AWC-ECU <S-AWC>	I	Occupant classification-ECU	P
AWD-ECU <Electronic controlled AWD>	I	Power window main switch (incorporating CPU)	Q
CAN box unit	G	Receiver antenna module <Vehicles with KOS>	J
Column switch (incorporating column-ECU)	D	SRS-ECU	L
Combination meter (incorporating CPU)	E	Sunroof motor assembly (incorporating CPU)	O
Engine control module	B	Transaxle control module	I
ETACS-ECU	H	USB box	M
Hands free module	M	Wireless control module <Vehicles without KOS>	J



AC900431AC



AC900356AH

NOTE: The * symbols indicate equipment at both sides.

