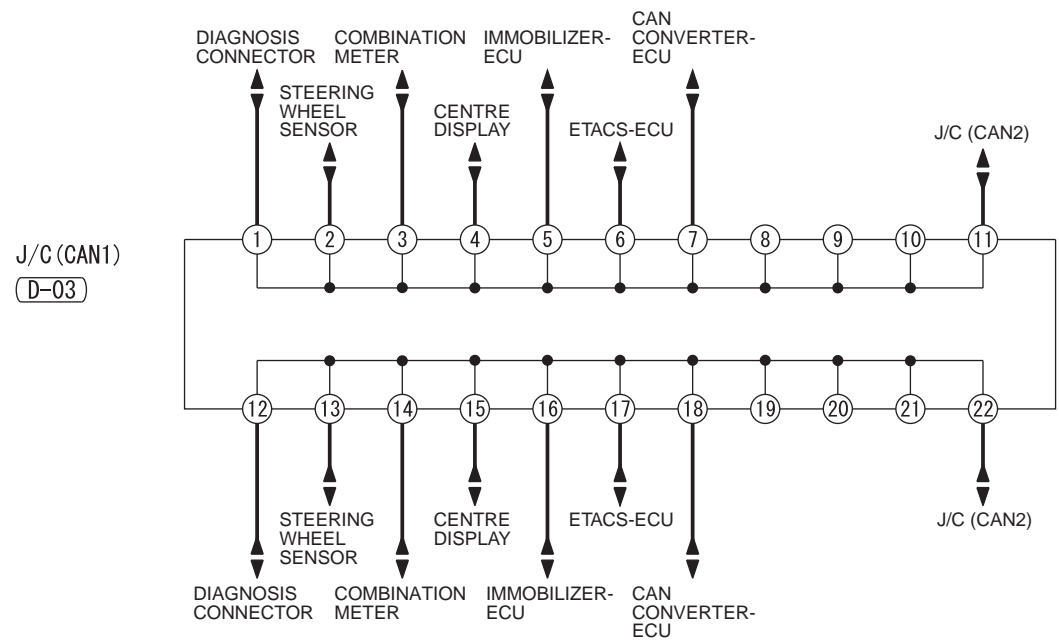
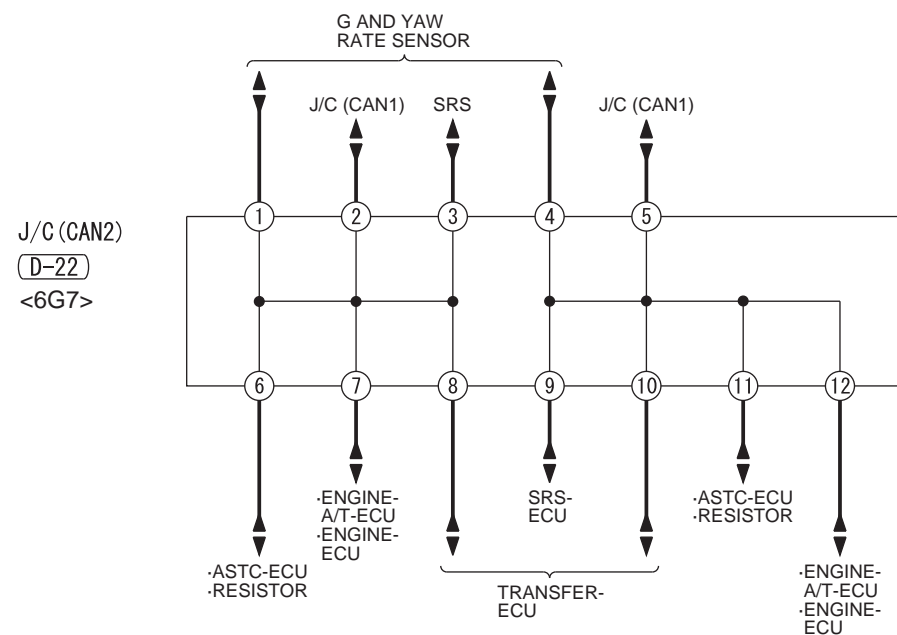
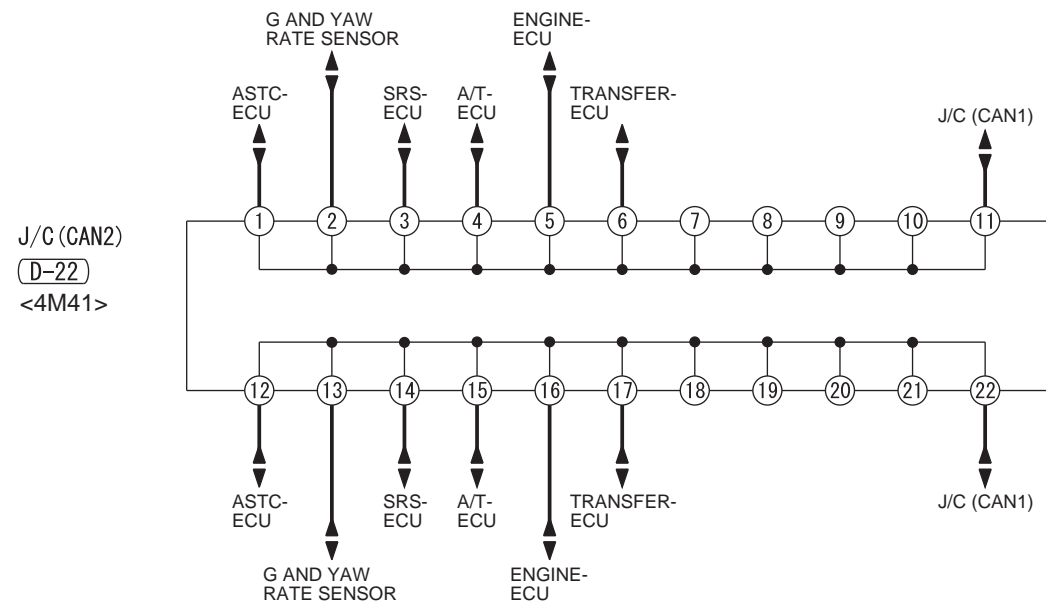


NOTE:  
 IN THE ACTUAL VEHICLES, SOME OF THE J/C TERMINALS IN THE SAME BUS ARE USED,  
 SO IN SOME CASES, THE TERMINAL ARRANGEMENT INDICATED ON THE CIRCUIT  
 DIAGRAMS DOES NOT AGREE WITH THE ONES IN THE ACTUAL VEHICLES.  
 HOWEVER, ON J/C (CAN 1, 2), THE ACTUAL TERMINAL AGREEMENT SHOULD ALWAYS  
 AGREE WITH THE CIRCUIT DIAGRAMS.  
 THE DESTINATIONS OF J/C (CAN1, 2) ARE INDICATED BY PARTS NAMES, AND THE  
 DESTINATIONS OF THE OTHER J/C ARE INDICATED BY CIRCUIT NAMES.

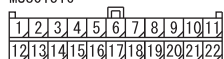


NOTE  
 \*1 : 4M41  
 \*2 : 6G7



D-03

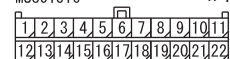
MU801516



D-22

MU801516

\*1



\*2

