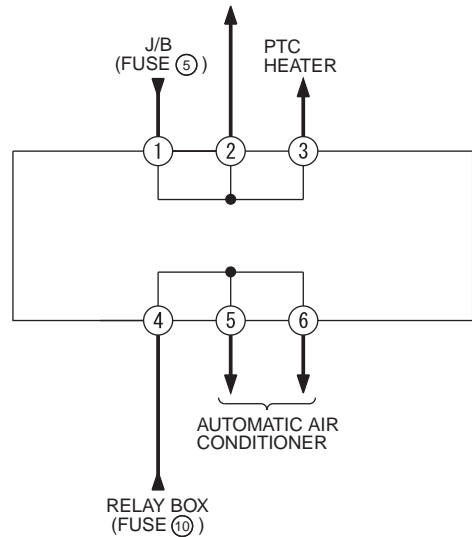
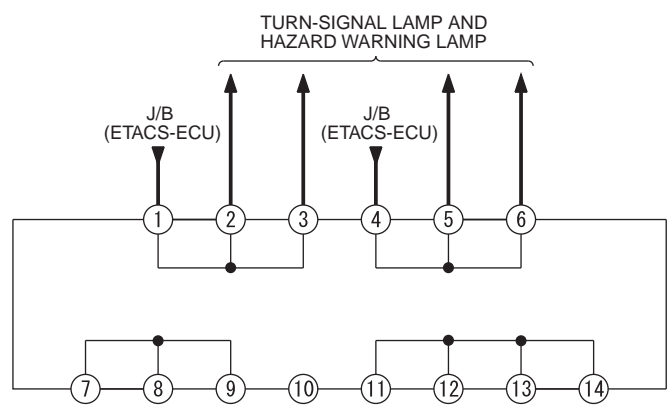


·FRONT FOG LAMP
 ·HEADLAMP
 ·HEADLAMP WASHER
 ·TAIL LAMP, POSITION LAMP,
 LICENCE PLATE LAMP AND
 LIGHTING MONITOR BUZZER
 ·WINDSHIELD WIPER AND WASHER

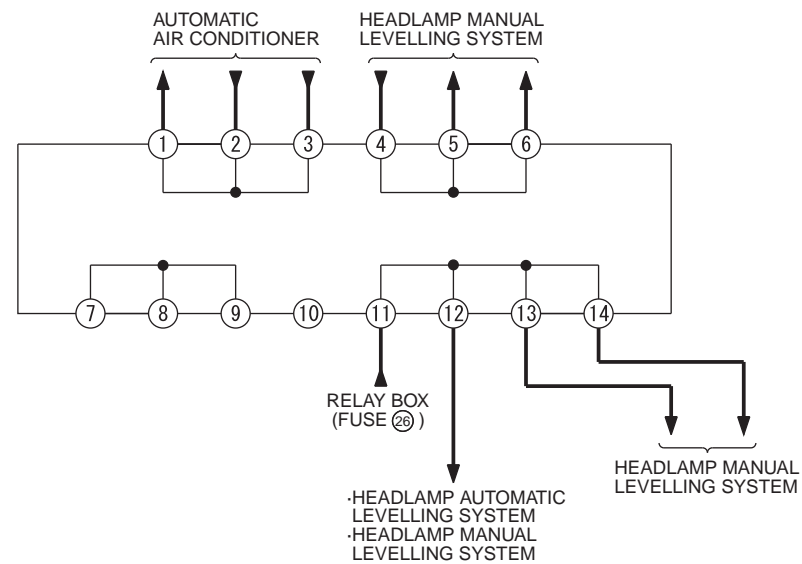
J/C (1)
A-14



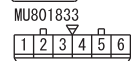
J/C (2)
A-15



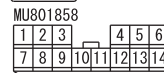
J/C (3)
A-16



A-14



A-15



A-16

