



# SERVICE BULLETIN

GLOBAL AFTER SALES OFFICE, MITSUBISHI MOTORS CORPORATION

PURPOSE : CORRECTION	ISSUE NO. : MSB-11E54-509	DATE : 2011-06-20
SUBJECT : AUXILIARY BATTERY REMOVAL STEPS		<MODEL> (EUR) 11 i-MiEV (HA3W)
GROUP : CHASSIS ELECTRICAL		

## 1. Description:

The removal steps of the auxiliary battery have been corrected in the applicable Workshop Manual. This Service Bulletin contains the corrected descriptions.

- Tightening torque for “3. Connection of the auxiliary battery harness [negative auxiliary battery terminal]” has been corrected.
- Shape of “10. Fusible link box cover” has been corrected.
- “11. Connection of the auxiliary battery harness [positive auxiliary battery terminal]” has been corrected.
- “12. Connection of the auxiliary battery harness [positive auxiliary battery terminal]” has been corrected.
- “13. Fusible link box bracket” has been deleted.
- “14. Fusible link” has been deleted.
- “15. Fusible link box” has been deleted.

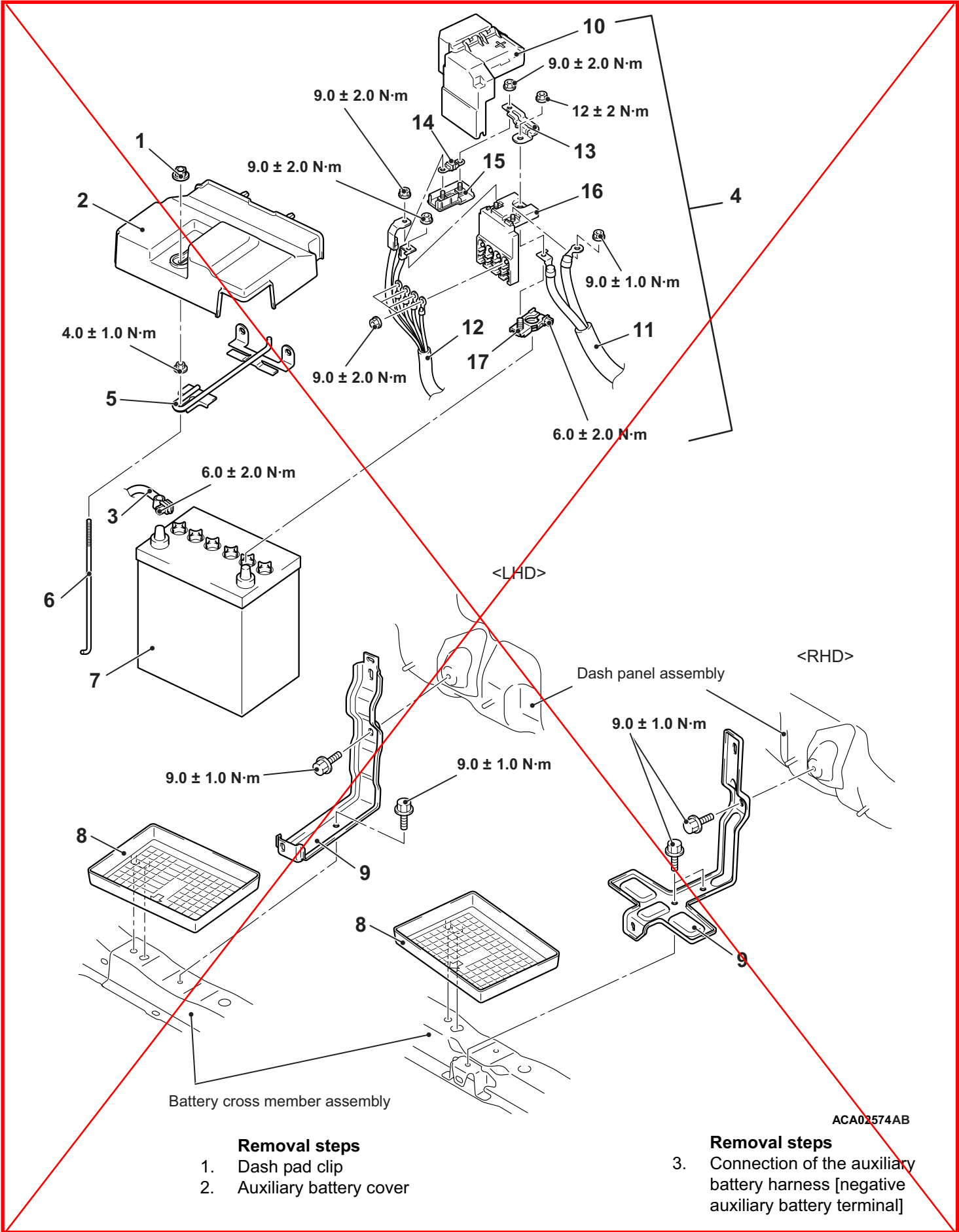
## 2. Applicable Manual:

Manual	Pub. No.	Title (Info-ID)	Attached Sheet
2011 i-MiEV Workshop Manual CD-ROM	CHAE11E1-CD (English) CHAF11E1-CD (French) CHAG11E1-CD (German) CHAS11E1-CD (Spanish) CHAI11E1-CD (Italian)	Auxiliary Battery Removal and Installation (M541-00-230-04500-01)	Attached sheet 1

There may be some attached sheets not included in this Service Bulletin because they are not applicable to your market. Their sheet numbers are not listed in the above table.

## 3. Corrected Specifications:

See Attached sheet 1.



- Removal steps**
1. Dash pad clip
  2. Auxiliary battery cover

- Removal steps**
3. Connection of the auxiliary battery harness [negative auxiliary battery terminal]

ACA02574AB

<Incorrect>

M3B-11E54-509(11AB011)

<Correct>

Insert the attached sheet 1(3/4)

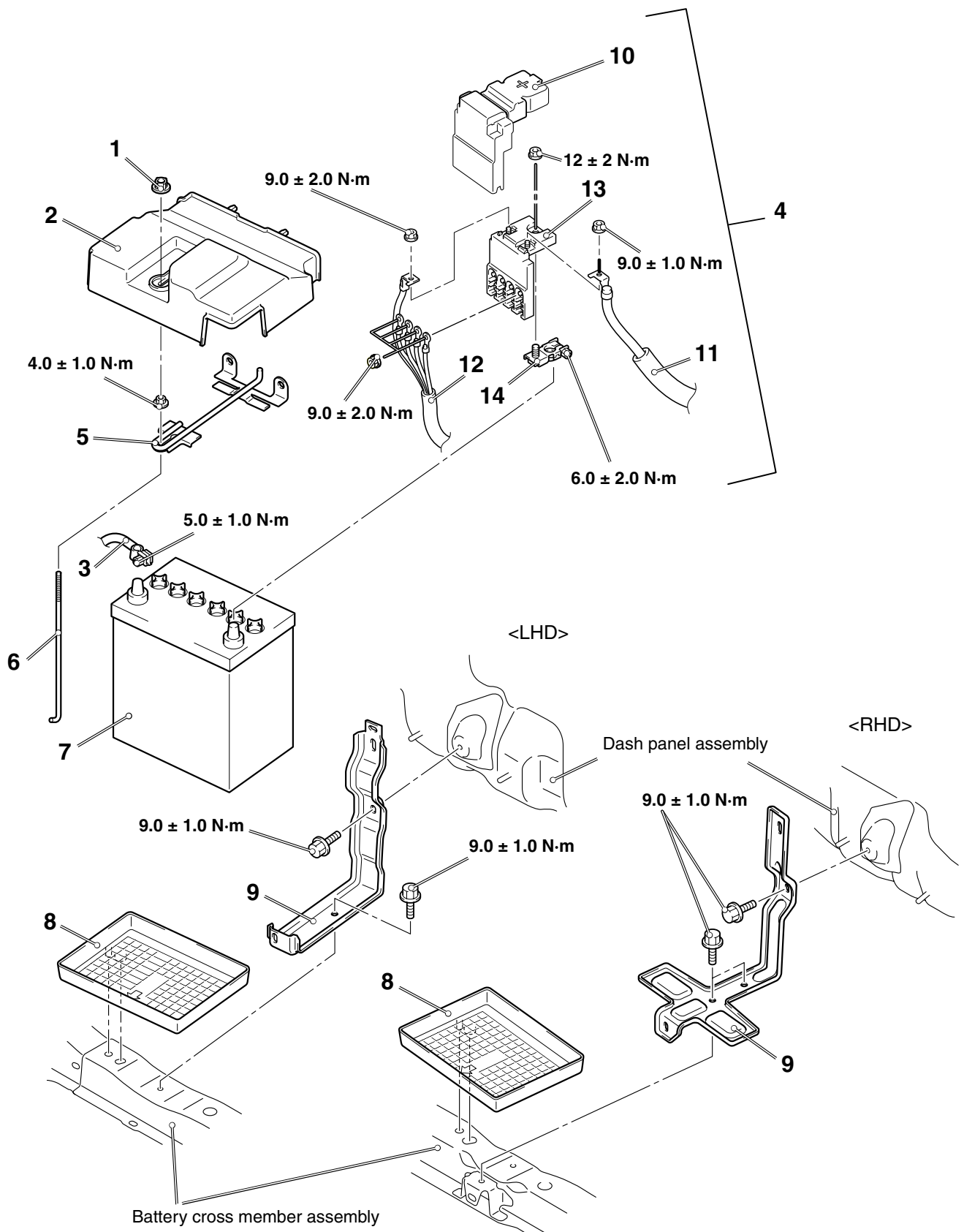
**Removal steps**

4. Connection of the fusible link box, engine harness, front harness assembly [positive auxiliary battery terminal]
5. Auxiliary battery holder
6. Auxiliary battery bolt
7. Auxiliary battery
8. Auxiliary battery tray
9. Auxiliary battery holder bracket
10. Fusible link box cover
11. Connection of the auxiliary battery harness [positive auxiliary battery terminal]
12. Connection of the auxiliary battery harness [positive auxiliary battery terminal]
13. Fusible link box bracket
14. Fusible link
15. Fusible link box (1P)
16. Fusible link box (6P)
17. Auxiliary battery terminal

<Incorrect>

<Correct>

Insert the attached sheet 1(4/4)



**Removal steps**

1. Dash pad clip
2. Auxiliary battery cover

**Removal steps**

3. Connection of the auxiliary battery harness [negative auxiliary battery terminal]

**Removal steps**

4. Connection of the fusible link box, engine harness, front harness assembly [positive auxiliary battery terminal]
5. Auxiliary battery holder
6. Auxiliary battery bolt
7. Auxiliary battery
8. Auxiliary battery tray
9. Auxiliary battery holder bracket
10. Fusible link box cover
11. Connection of the auxiliary battery harness [positive auxiliary battery terminal]
12. Connection of the auxiliary battery harness [positive auxiliary battery terminal]
13. Fusible link box (6P)
14. Auxiliary battery terminal