



# SERVICE BULLETIN

GLOBAL AFTER SALES OFFICE, MITSUBISHI MOTORS CORPORATION

PURPOSE : CHANGE	ISSUE NO. : MSB-14EXML00_54-001C	DATE : 2015-10-05
SUBJECT : RESET ESTIMATED INFORMATION AND CONTROL INFORMATION OF DRIVE BATTERY CAPACITY		<DESTINATION/MODEL> <M/Y> (MMNA/USTP/EUR/MMAL/ 11-14.5 NZ)
GROUP : GR:00(General)/54(Chassis Electrical)		i-MiEV(HA3W)/ Outlander PHEV(GG0W)

**1. Description :**

Please refer to the attached document for the information about the change of mention in the applicable service manual. (The reset estimated information and control information of drive battery capacity have been amended in MUT-III for EUR, MMAL and NZ, and in the scan tool of MB991958 for MMNA/USTP)

**2. Affected service manuals :**

Please refer to the attached document (Attached sheet 1)

**3. About the details :**

Please refer to the attached document (Attached sheet 11-17)

**Revision History**

		MSB No.	Issued Date
Original		MSB-14EXML00_54-001	2014/9/15
Revision	A	MSB-14EXML00_54-001A	2014/9/16
	B	MSB-14EXML00_54-001B	2014/11/24
	C	MSB-14EXML00_54-001C	2015/10/05

※Only for Japan

※This time only for  
EU & MMNA

For overseas market

<EU>

Applicable manual	Pub. No.	Applicable title (INFO ID)	Contents
2014 OUTLANDER/OUTLANDER PHEV Workshop Manual	CGFE14E2-CD (ENG) CGFF14E2-CD (FRE) CGFG14E2-CD (GER) CGFS14E2-CD (SPA) CGFI14E2-CD (ITA)	RESET ESTIMATED INFORMATION AND CONTROL INFORMATION OF DRIVE BATTERY CAPACITY <PHEV> (M001-02-110-09600-01)	Attached sheet 11
		REMOVAL AND INSTALLATION (M549-40-130-16300-01)	Attached sheet 12
2014.5 OUTLANDER/OUTLANDER PHEV Workshop Manual	CGFE14E3-CD (ENG) CGFF14E3-CD (FRE) CGFG14E3-CD (GER) CGFS14E3-CD (SPA) CGFI14E3-CD (ITA)	RESET ESTIMATED INFORMATION AND CONTROL INFORMATION OF DRIVE BATTERY CAPACITY <PHEV> (M001-02-110-09601-01)	Attached sheet 11
		REMOVAL AND INSTALLATION (M549-40-130-16301-01)	Attached sheet 12
2011 i-MiEV Workshop Manual	ENG: CHAE11E1-CD FRE: CHAF11E1-CD GER: CHAG11E1-CD SPA: CHAS11E1-CD ITA: CHAI11E1-CD	RESET ESTIMATED INFORMATION AND CONTROL INFORMATION OF MAIN BATTERY CAPACITY (M001-02-110-02900-01)	Attached sheet 14
		TRACTION BATTERY REMOVAL AND INSTALLATION (M549-40-130-03300-01)	Attached sheet 15
2012 i-MiEV Workshop Manual	ENG: CHAE12E1-CD FRE: CHAF12E1-CD GER: CHAG12E1-CD SPA: CHAS12E1-CD ITA: CHAI12E1-CD	RESET ESTIMATED INFORMATION AND CONTROL INFORMATION OF MAIN BATTERY CAPACITY (M001-02-110-02901-02)	Attached sheet 14
		TRACTION BATTERY REMOVAL AND INSTALLATION (M549-40-130-09900-01)	Attached sheet 15
2014 i-MiEV Workshop Manual	ENG: CHAE14E1-CD FRE: CHAF14E1-CD GER: CHAG14E1-CD SPA: CHAS14E1-CD ITA: CHAI14E1-CD	RESET ESTIMATED INFORMATION AND CONTROL INFORMATION OF MAIN BATTERY CAPACITY (M001-02-110-02901-02)	Attached sheet 14
		TRACTION BATTERY REMOVAL AND INSTALLATION (M549-40-130-12900-01)	Attached sheet 15

<MMAL/NZ>

Applicable manual	Pub. No.	Applicable title (INFO ID)	Contents
2014 OUTLANDER PHEV Workshop Manual	MMAL:AU900408 NZ:DRAFT	RESET ESTIMATED INFORMATION AND CONTROL INFORMATION OF DRIVE BATTERY CAPACITY (M001-02-110-10400-01)	Attached sheet 13
		REMOVAL AND INSTALLATION (M549-40-130-19600-01)	Attached sheet 12

<MMNA>

Applicable manual	Pub. No.	Applicable title (INFO ID)	Contents
2012 i-MiEV Service Manual CD-ROM	MSCD-018B-2012	RESET ESTIMATED INFORMATION AND CONTROL INFORMATION OF TRACTION BATTERY CAPACITY (M001-02-110-03000-01)	Attached sheet 16
		TRACTION BATTERY REMOVAL AND INSTALLATION (M549-40-130-09900-01)	Attached sheet 17
2014 i-MiEV Service Manual CD-ROM	MSCD-018B-2014	RESET ESTIMATED INFORMATION AND CONTROL INFORMATION OF DRIVE LITHIUM-ION BATTERY CAPACITY (M001-02-110-08500-01)	Attached sheet 16
		TRACTION BATTERY REMOVAL AND INSTALLATION (M549-40-130-12900-01)	Attached sheet 17

<New>

INITIALISE ESTIMATED INFORMATION AND CONTROL INFORMATION OF DRIVE BATTERY CAPACITY (BATTERY MAINTENANCE FUNCTION)

<Deleted>



<Old>

~~RESET ESTIMATED INFORMATION AND CONTROL INFORMATION OF DRIVE BATTERY CAPACITY <PHEV>~~

<New>

Do not execute "Batt. capa. estimated info. reset" unless you replace the drive battery and you determine the capacity of the battery, which is installed on an authorised used car.

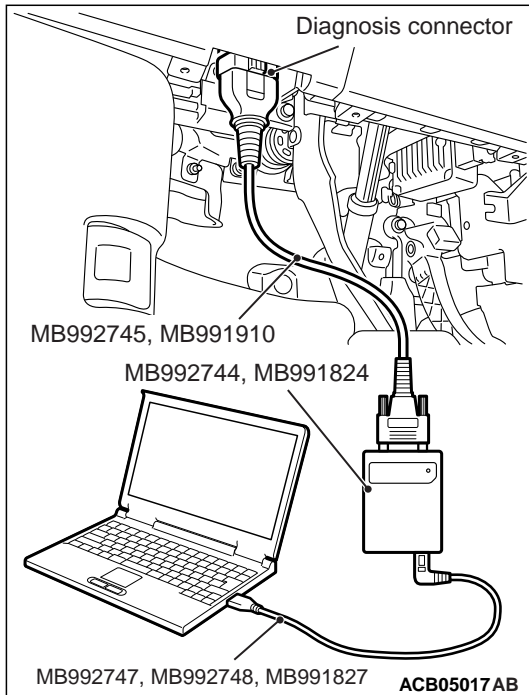
**CAUTION**

<Old>

- Do not reset "Battery capacity estimated info" unless you replace the drive battery.
- If you did inadvertently, carry out the procedures for writing BMU learning value, and then execute the drive battery capacity automatic measurement (Refer to GROUP 54D–Battery Management Unit (BMU) and Traction Battery).

<Old>

If replacing the drive battery, ~~reset~~ the drive battery capacity information and the control information. **initialise** <New>



1. Turn off the power supply mode of the electric motor switch. Then connect the M.U.T.-III to the diagnosis connector.
2. Turn on the power supply mode of the electric motor switch.
3. From the System select Screen of the M.U.T.-III, select the "BMU".
4. Select the "Special Function" from the BMU screen. <Old>
5. Select the "Reset" from the Special Function screen
6. Select the "Battery capacity estimated info" from the Reset screen, and reset.
7. After the estimated information of the main battery capacity is reset, select "Control information" from the Reset Screen to reset.
8. Turn off the power supply mode of the electric motor switch, and then disconnect the M.U.T.-III.

<New>

5. Select the "Battery Maintenance Function" from the Special Function screen.
6. Select the "Batt. capa. estimated info. reset" from the Battery Maintenance Function screen.
7. Wait until "Batt. capa. estimated info. reset" has been completed. Then select "Control information reset" from the Battery Maintenance Function screen.

## REMOVAL AND INSTALLATION

### **CAUTION**

- If the drive battery is replaced, the "preliminary application" is required before replacement. (For the details, contact Mitsubishi Motors dealer.) If the drive battery is replaced without approval by the "preliminary application", it is excluded from the scope of the warranty. Be careful.
- ~~If the drive battery is replaced, use the M.U.T.-III to reset the drive battery capacity estimation information and control information (Refer to GROUP 00 – Precautions before Service, Reset Estimated Information and Control Information of Drive Battery Capacity).~~

### **DANGER** <Old>

- *When servicing the high-voltage system parts, be sure to wear the specified protection equipment*

<New>

If the drive battery is replaced, use the M.U.T.-III to initialise the drive battery capacity estimation information and control information (Refer to GROUP 00 - Precautions before Service, Initialise Estimated Information and Control Information of Drive Battery Capacity (Battery Maintenance Function)).

<New>

INITIALISE ESTIMATED INFORMATION AND CONTROL INFORMATION OF DRIVE BATTERY CAPACITY (BATTERY MAINTENANCE FUNCTION)

Attached sheet 13

<Deleted> B

<Old>

~~RESET ESTIMATED INFORMATION AND CONTROL INFORMATION OF DRIVE BATTERY CAPACITY~~

<New>

Do not execute "Batt. capa. estimated info. reset" unless you replace the drive battery and you determine the capacity of the battery, which is installed on an authorised used car.

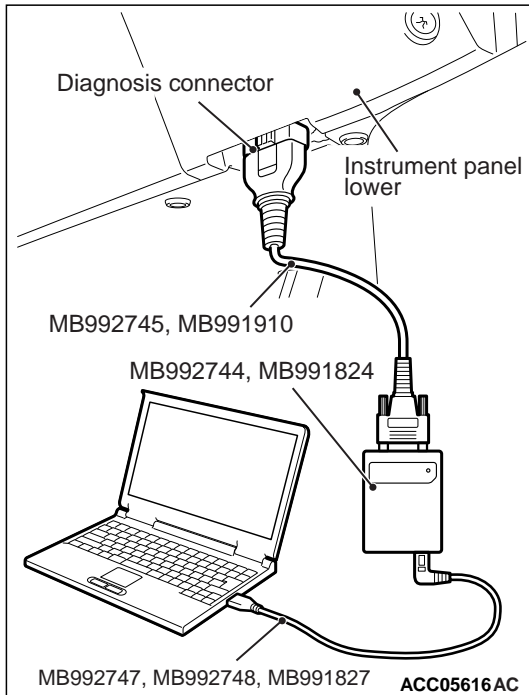
**CAUTION**

<Old>

- ~~Do not reset "Battery capacity estimated info" unless you replace the drive battery.~~
- If you did inadvertently, carry out the procedures for writing BMU learning value, and then execute the drive battery capacity automatic measurement (Refer to GROUP 54D–Battery Management Unit (BMU) and Traction Battery).

<Old>

If replacing the drive battery, ~~reset~~ the drive battery capacity information and the control information. **initialise** <New>



- Turn off the power supply mode of the electric motor switch. Then connect the M.U.T.-III to the diagnosis connector.
- Turn on the power supply mode of the electric motor switch.
- From the System select Screen of the M.U.T.-III, select the "BMU".
- Select the "Special Function" from the BMU screen. <Old>
- ~~Select the "Reset" from the Special Function screen~~
- ~~Select the "Battery capacity estimated info" from the Reset screen, and reset.~~
- ~~After the estimated information of the main battery capacity is reset, select "Control information" from the Reset Screen to reset.~~
- Turn off the power supply mode of the electric motor switch, and then disconnect the M.U.T.-III.

<New>

- Select the "Battery Maintenance Function" from the Special Function screen.
- Select the "Batt. capa. estimated info. reset" from the Battery Maintenance Function screen.
- Wait until "Batt. capa. estimated info. reset" has been completed. Then select "Control information reset" from the Battery Maintenance Function screen.

RESET ESTIMATED INFORMATION AND CONTROL INFORMATION OF MAIN BATTERY CAPA

<Old>

<New>

INITIALISE ESTIMATED INFORMATION AND CONTROL INFORMATION OF MAIN BATTERY CAPACITY (BATTERY MAINTENANCE FUNCTION)

~~RESET ESTIMATED INFORMATION AND CONTROL INFORMATION OF MAIN BATTERY CAPACITY~~

If replacing the main battery, ~~reset~~ the main battery capacity information and the control information.

~~reset~~  
<Old>

initialise  
<New>

**CAUTION**

While the M.U.T.-III is communicating with the vehicle, the electric motor switch may not be turned LOCK (OFF) and no normally. Therefore, when you turn LOCK (OFF) the electric motor switch for that communication, wait for several seconds and then turn ON it again (do not turn ON it immediately).

NOTE: If replacing the BMU and the main battery at the same time, you do not have to do this procedure.



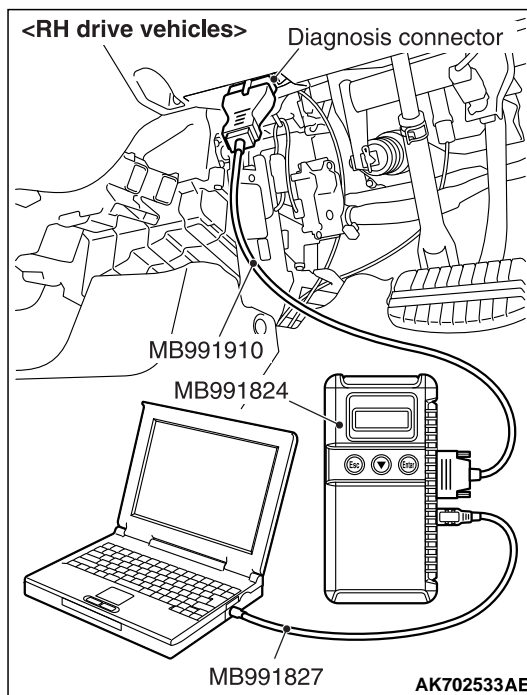
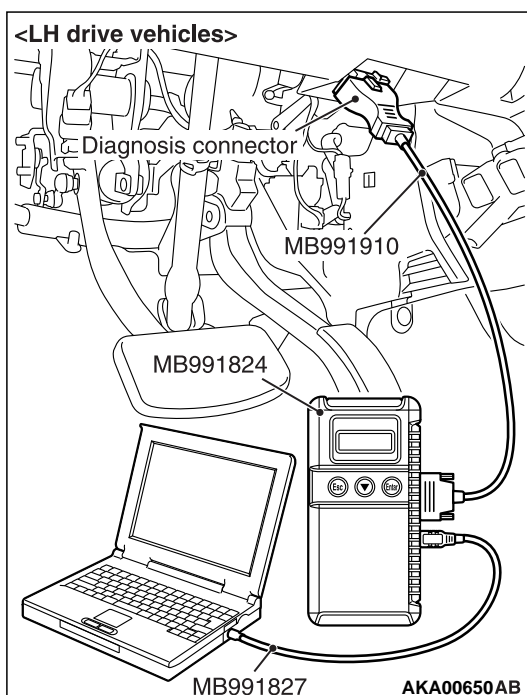
<Deleted>

<Added>

- Do not execute "Batt. capa. estimated info. reset" unless you replace the drive battery and you determine the capacity of the battery, which is installed on an authorised used car.
- If you did inadvertently, carry out the procedures for writing BMU learning value, and then execute the main battery capacity automatic measurement (Refer to GROUP 54D-Main Battery Capacity Automatic Measurement)

TSB Revision

## RESET ESTIMATED INFORMATION AND CONTROL INFORMATION OF MAIN BATTERY



1. Connect the M.U.T.-III to the diagnosis connector with the electric motor switch in the LOCK (OFF) position.
2. Turn the electric motor switch to the ON position.
3. From the System select Screen of the M.U.T.-III, select the "BMU".
4. Select the "Special Function" from the BMU screen. <Old>
5. ~~Select the "Reset" from the Special Function screen~~
6. ~~Select the "Battery capacity estimated info" from the Reset screen, and reset.~~
7. ~~After the estimated information of the main battery capacity is reset, select "Control information" from the Reset Screen to reset.~~
8. Put the power switch in the LOCK (OFF) position.
9. After the ~~reset~~ initialise <New> of the BMU control information, check the battery current capacity according to the following procedures:
  - (1) After 10 seconds elapsed from the previous process, turn on the power switch.
  - (2) Select the "STV (Scan Tool Viewer)" from the M.U.T.-III start screen.
  - (3) Select the "System Select" from the fault STV top menu screen.
  - (4) Select the "BMU" from the system select screen.
  - (5) Select the "Service Data" from the BMU screen.
  - (6) Check the BMU service data, item No. 23: Battery current capacity.
  - (7) If the value, item No. 23: Battery current capacity, satisfies 45.0 – 48.0 Ah, go to the step 10. If not, start from step 4 to do the ~~reset~~ initialise <New> of the control information.
10. Turn the electric motor switch to the LOCK (OFF) position to disconnect the M.U.T.-III. initialise <New>

5. Select the "Battery Maintenance Function" from the Special Function screen.
6. Select the "Batt. capa. estimated info. reset" from the Battery Maintenance Function screen.
7. Wait until "Batt. capa. estimated info. reset" has been completed. Then select "Control information reset" from the Battery Maintenance Function screen.

<Added>

- (7) If the value, item No. 23: Battery current capacity, satisfies 45.0 – 48.0 Ah, go to the step 10. If not, start from step 4 to do the initialise of the control information. <14MY~>

TSB Revision



**ELECTRIC MOTOR UNIT AND TRACTION BATTERY  
BATTERY MANAGEMENT UNIT (BMU) AND TRACTION BATTERY**

**TRACTION BATTERY**

**REMOVAL AND INSTALLATION**

M1549401300129

**CAUTION**

- If the traction battery is replaced, the "preliminary application" is required before replacement. (For the details, contact Mitsubishi Motors dealer.) If the traction battery is replaced without approval by the "preliminary application", it is excluded from the scope of the warranty. Be careful.

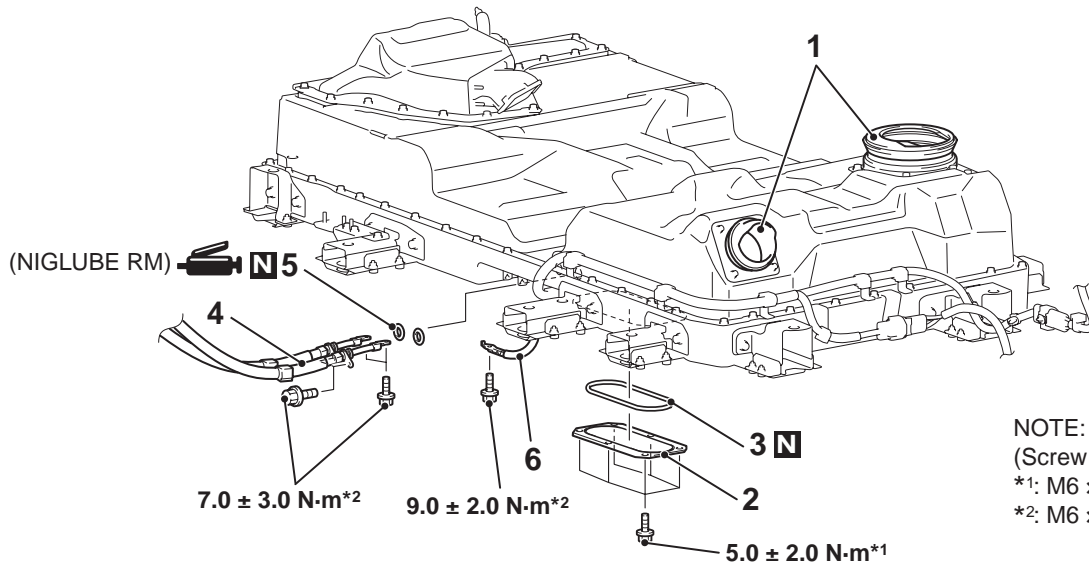
<Old>

- ~~If the traction battery is replaced, use the M.U.T.-III to reset the traction battery capacity estimation information and control information (Refer to GROUP 00 – Precautions before Service, Reset Estimated Information and Control Information of Traction Battery Capacity).~~

**DANGER**

- *When servicing the high-voltage system parts, be sure to wear the specified protection equipment and disconnect the service plug to interrupt the high-voltage supply (Refer to ).*
- *Do not disassemble any traction battery other than those described in this manual.*

<p><b>Pre-removal operation</b></p> <ul style="list-style-type: none"> <li>• Front floor cover A, B removal (Refer to GROUP 51 – Under Cover .)</li> <li>• Front floor console heater duct removal (Refer to GROUP 55 – Duct .)</li> </ul>	<p><b>Post-installation operation</b></p> <ul style="list-style-type: none"> <li>• Front floor console heater duct installation (Refer to GROUP 55 – Duct .)</li> <li>• Front floor cover A, B installation (Refer to GROUP 51 – Under Cover .)</li> </ul>
--	--



ACA02383 AD

<<A>>		<b>Removal steps</b>	<<B>>	>>C<<	<b>Removal steps (Continued)</b>
	>>D<<	1. Rubber boot connection			4. Traction battery cable connection
		2. Work hole lid			5. O-ring
		3. O-ring		>>C<<	6. Earth cable connection

<New>

- If the traction battery is replaced, use the M.U.T.-III to initialise the traction battery capacity estimation information and control information (Refer to GROUP 00 - Precautions before Service, Initialise Estimated Information and Control Information of Traction Battery Capacity).

~~B~~ <Deleted>

<New> ~~ET ESTIMATED INFORMATION AND CONTROL INFORMATION OF MAIN DRIVE LITHIUM-ION~~ <Old>

INITIALIZE ESTIMATED INFORMATION AND CONTROL INFORMATION OF MAIN DRIVE LITHIUM-ION BATTERY CAPACITY (BATTERY MAINTENANCE FUNCTION)

~~RESET ESTIMATED INFORMATION AND CONTROL INFORMATION OF MAIN DRIVE LITHIUM-ION BATTERY CAPACITY~~

• Do not execute "Batt. capa. estimated info. reset" unless you replace the drive battery and you determine the capacity of the battery, which is installed on an authorised used car.  
• If you did inadvertently, carry out the procedures for writing BMU learning value, and then execute the main battery capacity automatic measurement (Refer to GROUP 54D-Main Battery Capacity Automatic Measurement)

**Required Special Tool:**

- MB991958: Scan Tool (M.U.T.-III Sub Assembly) <New>
  - MB991824: V.C.I.
  - MB991827: USB Cable
  - MB991910: Main Harness A

initialize

<Old>

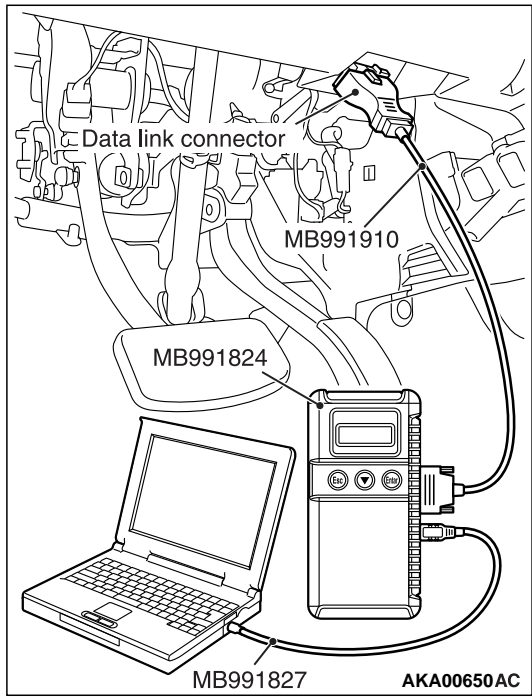
If replacing the Main Drive Lithium-ion Battery, ~~reset~~ the Main Drive Lithium-ion Battery capacity information and the control information.

**CAUTION**

While the scan tool MB991958 is communicating with the vehicle, the electric motor switch may not be turned off and no normally. Therefore, when you turn off the electric motor switch for that communication, wait for several seconds and then turn on it again (do not turn on it immediately).

NOTE: If replacing the BMU and the Main Drive Lithium-ion Battery at the same time, you do not have to do this procedure.

1. Connect the scan tool MB991958 to the data link connector with the electric motor switch in the "LOCK" (OFF) position.
2. Turn the electric motor switch to the ON position.
3. From the System select Screen of the scan tool MB991958, select the "BMU".
4. Select the "Special Function" from the BMU screen. <Old>
5. Select the "Reset" from the Special Function screen
6. Select the "Battery capacity estimated info" from the Reset screen, and reset.
7. After the estimated information of the Main Drive Lithium-ion Battery capacity is reset, select "Control information" from the Reset Screen to reset.



<New>

8. Put the electric motor switch in the LOCK (OFF) position.
9. After the ~~reset~~ of the BMU control information, check the battery current capacity according to the following procedures:
  - (1) After 10 seconds elapsed from the previous process, turn on the electric motor switch.
  - (2) Select the "STV (Scan Tool Viewer)" from the scan tool MB991958 start screen.
  - (3) Select the "System Select" from the fault STV top menu screen.
  - (4) Select the "BMU" from the system select screen.
  - (5) Select the "Service Data" from the BMU screen.
  - (6) Check the BMU service data, item No. 23: Battery current capacity.
  - (7) If the value, item No. 23: Battery current capacity, satisfies 45.0 – 48.0 Ah, go to the step 10. If not, start from step 4 to do the ~~reset~~ of the control information.
10. Turn the electric motor switch to the "LOCK" (OFF) position to disconnect the scan tool MB991958.

5. Select the "Battery Maintenance Function" from the Special Function screen.  
6. Select the "Batt. capa. estimated info. reset" from the Battery Maintenance Function screen.  
7. Wait until "Batt. capa. estimated info. reset" has been completed. Then select "Control information reset" from the Battery Maintenance Function screen.

TSB Revision

initialize <New>

<Added>

(7) If the value, item No. 23: Battery current capacity, satisfies 45.0 – 48.0 Ah, go to the step 10. If not, start from step 4 to do the initialise of the control information. <14MY~>

ELECTRIC MOTOR UNIT AND MAIN DRIVE LITHIUM-ION BATTERY  
 BATTERY MANAGEMENT UNIT (BMU) AND MAIN DRIVE LITHIUM-ION BATTERY

MAIN DRIVE LITHIUM-ION BATTERY  
 REMOVAL AND INSTALLATION

M1549401300129

**CAUTION**

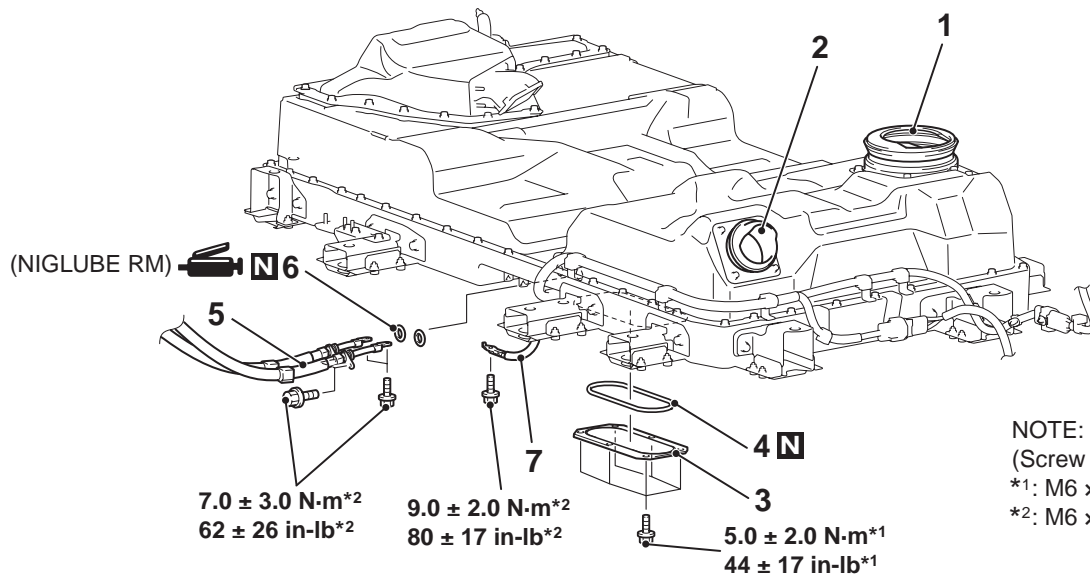
- If the Main Drive Lithium-ion Battery is replaced, the "preliminary application" is required before replacement. (For the details, contact Mitsubishi Motors dealer.) If the Main Drive Lithium-ion Battery is replaced without approval by the "preliminary application", it is excluded from the scope of the warranty. Be careful. <Old>

- ~~After replacing the Main Drive Lithium-ion Battery, use the scan tool to reset the Main Drive Lithium-ion Battery capacity estimation information and control information. (Refer to GROUP 00 – Reset Estimated Information and Control Information of Main Drive Lithium-ion Battery Capacity .)~~

**DANGER**

- When servicing the high-voltage system parts, be sure to wear the specified protection equipment and disconnect the service plug to interrupt the high-voltage supply (Refer to ).
- Do not disassemble any Main Drive Lithium-ion Battery other than those described in this manual.

<p><b>Pre-removal operation</b></p> <ul style="list-style-type: none"> <li>• Front floor cover A, B removal (Refer to GROUP 51 – Under Cover .)</li> <li>• Front floor console heater duct removal (Refer to GROUP 55 – Duct .) &lt;Vehicles with Main Drive Lithium-ion Battery cooling system or Main Drive Lithium-ion Battery warming system&gt;</li> </ul>	<p><b>Post-installation operation</b></p> <ul style="list-style-type: none"> <li>• Front floor console heater duct installation (Refer to GROUP 55 – Duct .) &lt;Vehicles with Main Drive Lithium-ion Battery cooling system or Main Drive Lithium-ion Battery warming system&gt;</li> <li>• Front floor cover A, B installation (Refer to GROUP 51 – Under Cover .)</li> </ul>
---	---



NOTE: Bolt size  
 (Screw diameter x length mm)  
 \*1: M6 x 12  
 \*2: M6 x 16

ACA02383 AB

<p>&lt;&lt;A&gt;&gt; &lt;&lt;A&gt;&gt;</p>	<p><b>Removal steps</b></p> <ol style="list-style-type: none"> <li>1. Rubber boot connection</li> <li>2. Rubber boot connection &lt;Vehicles with Main Drive Lithium-ion Battery cooling system or Main Drive Lithium-ion Battery warming system&gt;</li> </ol>	<p>&gt;&gt;D&lt;&lt; &gt;&gt;C&lt;&lt; &gt;&gt;C&lt;&lt;</p>	<p><b>Removal steps (Continued)</b></p> <ol style="list-style-type: none"> <li>3. Work hole lid</li> <li>4. O-ring</li> <li>5. Main drive lithium-ion battery cable connection</li> <li>6. O-ring</li> <li>7. Grounding cable connection</li> </ol>
--	---	--	---

<New>

If the Main Lithium-ion Battery is replaced, use the scan tool MB991958 to initialize the Main Lithium-ion Battery capacity estimation information and control information (Refer to GROUP 00 - Precautions before Service, Initialize Estimated Information and Control Information of Main Lithium-ion Battery Capacity).