



SERVICE BULLETIN

GLOBAL AFTER SALES OFFICE, MITSUBISHI MOTORS CORPORATION

PURPOSE : INFORMATION	ISSUE NO. : MSB-13EXML55-001A	DATE : 2013-02-14
SUBJECT : REMOVAL & INSTALLATION OF A/C CONTROL UNIT	<Destination/Model> (As per attached)	<M/Y> 11-13
GROUP : HEATER & AIR CONDITIONER	i-MiEV(HA3W)	

1. Description:

See the attached document for the information about the change of mention in the applicable service manual.

2. Applicable manual:

See the attached document (ATTACHED SHEET 6)

3. Details:

See the attached document

※Related EO number : PW2861

<Correct> 

Destination	Applicable manual	Pub. No..	Applicable title (INFO ID)	Content
MMNA	2012 i-MiEV SERVICE MANUAL	MSCD-018B-2012	A/C CONTROL UNIT REMOVAL AND	Attached Sheet 4
	2013 i-MiEV SERVICE MANUAL	MSCD-018B-2013	INSTALLATION (M550-10-330-01000-01)	
EU G. EXP, Malaysia MMAL/NZ	2011 i-MiEV Workshop Manual	CHAE11E1-CD (English)	A/C CONTROL UNIT	Attached Sheet 5
		CHAS11E1-CD (Spanish)	REMOVAL AND	
		CHAF11E1-CD (French)	INSTALLATION	
		CHAG11E1-CD (German)	(M550-10-330-01000-01)	
		CHAI11E1-CD (Italian)		
		MALAYSIA/MMAL/NZ: DRAFT		
	2012 i-MiEV Workshop Manual	CHAE12E1-CD (English)	A/C CONTROL UNIT	
		CHAS12E1-CD (Spanish)	REMOVAL AND	
		CHAF12E1-CD (French)	INSTALLATION	
		CHAG12E1-CD (German)	(M550-10-330-01000-01)	
		CHAI12E1-CD (Italian)		
		MALAYSIA/MMAL/NZ: DRAFT		
	2013 i-MiEV Workshop Manual	CHAE13E1-CD (English)	A/C CONTROL UNIT	
		CHAS13E1-CD (Spanish)	REMOVAL AND	
		CHAF13E1-CD (French)	INSTALLATION	
		CHAG13E1-CD (German)	(M550-10-330-01000-01)	
		CHAI13E1-CD (Italian)		
		MMAL: AU900303		
		MALAYSIA/NZ: DRAFT		

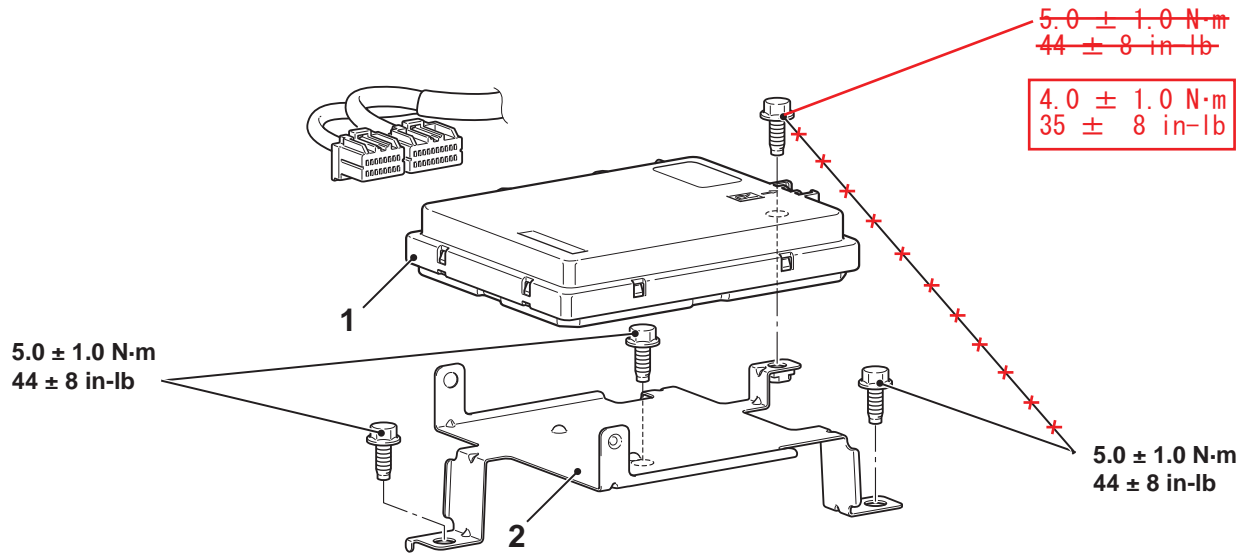
A/C CONTROL UNIT

REMOVAL AND INSTALLATION

M1550103300010

Pre-removal and post-installation operation

- Rear floor cover panel removal and installation (Refer to GROUP 42 – Loose Panel .)



AC900916AC

Removal steps

1. A/C control unit
2. A/C control equip bracket

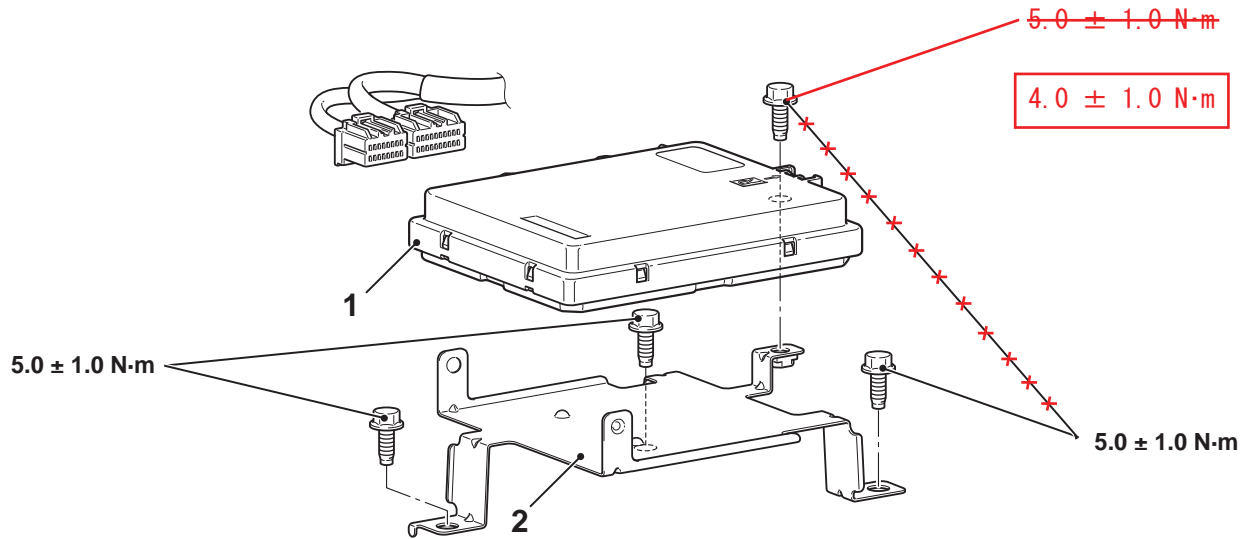
A/C CONTROL UNIT

REMOVAL AND INSTALLATION

M1550103300010

Pre-removal and post-installation operation

- Rear floor cover panel removal and installation (Refer to GROUP 42 – Loose Panel .)



AC900916AC

Removal steps

1. A/C control unit
2. A/C control equip bracket